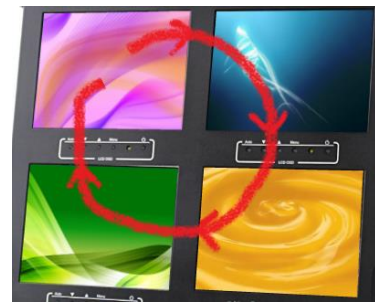


Quad Screen LCD Console Drawer

VGA, USB, Audio, Hub



↑ (USB Port for device access)



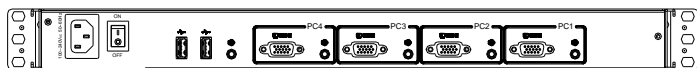
Switching port by simply moving the mouse cursor across each screen boundary

LCD console drawer is optimized for low profile (1U height) and design to save value rack space while increasing your video content capacity.

The self-locking rails when in the fully extended open position and the ultra convenient auto lock release when the LCD panel is closed, make for simple and hassle free operation.

Available with Quad 8" A-Grade LCD panels, integrated 4-port Keyboard / Mouse select (KM Switch) buttons for each PC , each system remain visible on its own display .

Support USB HUB 2.0 and Audio output function, touch screen available for option



Rear of KVM-08Q4-M6

Features

- 1U single rail with Quad 8" LCD Monitor, KM switch drawer
- Independent VGA /USB/Audio/HUB interface for each PC.
- Support by Mouse moving across screen boundary or via Push Button or Hotkey to switching port.
- Every system remains visible on its own display.
- Front 1x USB, Rear 2x USB 2.0 Type A ,Sharing USB peripheral Device for each computer (ex, flash disk ,hard driver, KB/Mouse).
- Build in 2x2w stereo speakers.
- Durable 104-key keyboard and touch pad.
- Quick and simple installation.
- Self-locking and auto release rails for ultra convenience.

Part No.		KVM-08Q4-M6
Direct no. of Computers		4
Maximum no. of Computers		4
LCD	Size	Quad 8"
	Backlight	LED
	Resolution	1024*768
	Max.color	262K
	Luminance	250cd/m2
	View Angel (H/V)	150 / 150
	Contrast Ratio	700 : 1
Port Selection		Mouse moving across screen boundary , Push Button or Hotkey
USB HUB		Yes , Front 1x USB 2.0 , Rear 2x USB 2.0 Type A for USB Peripheral Device
Touch Screen		Yes , for option (Driver needed)
KB/Mouse Emulation		USB
Power		100-240V AC 50/60Hz via IEC Type power cord
Environment		Operation temp: 0 to 50°C Storage temp: -20 to 60°C Humidity: 10% - 90%, non-condensing Shock: 10G acceleration (11ms duration) Vibration: 17 to 500Hz 1G PTP
Physical Dimensions / Net Weights		448x42x580mm (WxHxD) / 12.0KG
Packing Dimensions / Gross weights		785*168*705 (WxHxD) / 18.0KG

Accessory

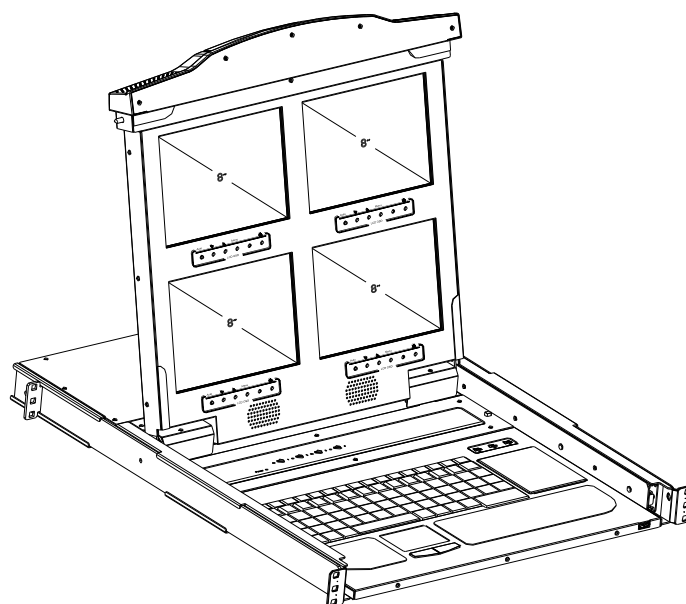
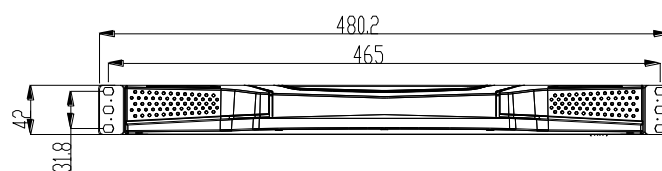
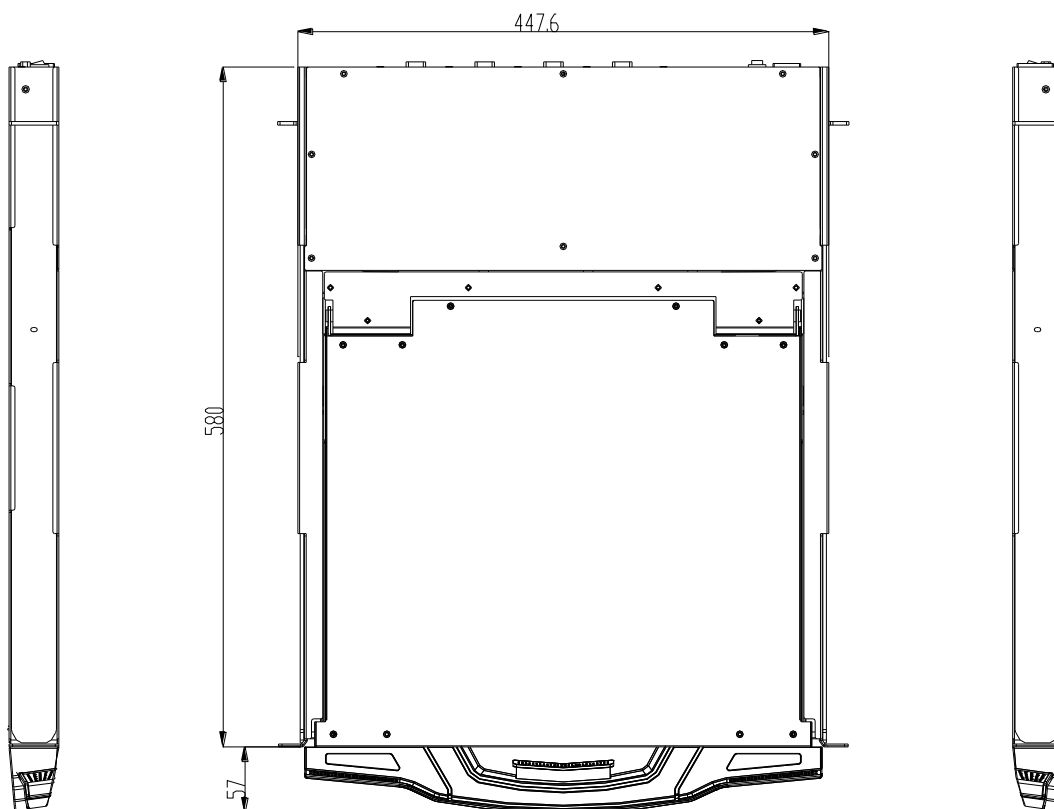
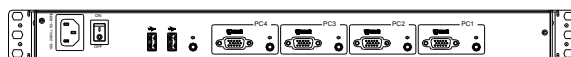
1.8meter IEC Type Power Cord x1 , 1.8meter 2-in-1 KVM Cable-USB&VGA x4 , 1.8meter Audio Cable x 4

Specifications subject to change without notice

Quad Screen LCD Console Drawer

DVI-D-USB & VGA-USB, Audio, Hub

Rear of KVM-08Q4-M6



USA (Head Quarter)
Denichi Computer Devices, Inc.
13200 Pond Springs Rd. #A102, Austin, TX 78729
Office: 512-837-2655
Fax: 512-837-1694
Email: sales@denichi.com

China (Factory)
Add : The south faces industry area of Xia Gang Fu Hai road, Chang'an Town, Dongguan City, Guangdong, China
Email: sales@denichi.com